



Perfect Fry PFC 5700

Ventless Deep Fryer





Perfect Fry PFC 5700

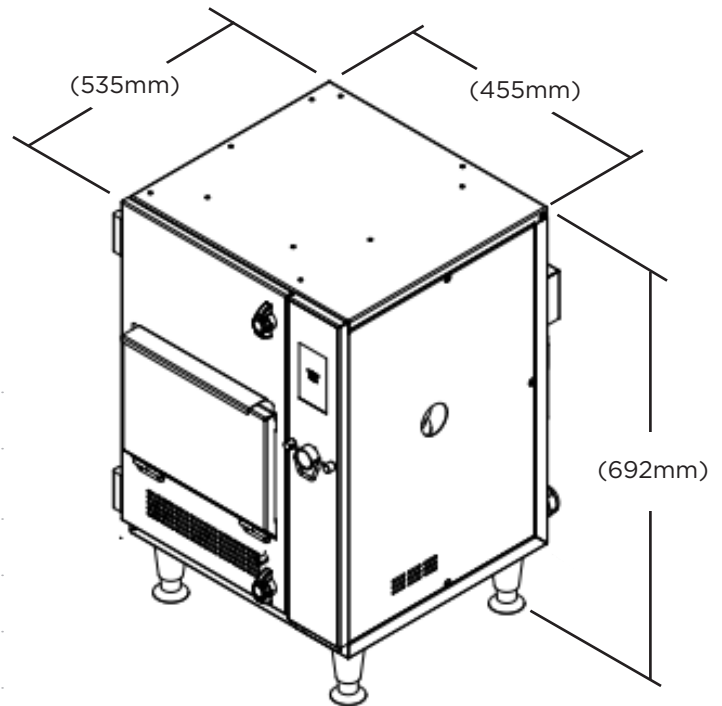
Ventless Deep Fryer



Perfect Fry PFC 5700 Ventless Deep Fryer

The PFC 5700 is a compact unit that is easy to use and maintain - making it ideal for most sites.

- Ventless - no extraction or canopy required
- Small Footprint
- Easy to use - programmed cooking
- Safe - any staff member can operator
- Ideal for delicate products - including panko prawns/ crumbed chicken



Model Name	PFC 5700
Model Number	PFE-PFC5702
Dimensions W x D X H (mm)	455 x 535 x 692
Power Supply	240v/50hz
Phase	Single
Current (A)	22
Power (Kw)	5
Capacity	12-15kg per hour
Oil Volume	8ltr
Weight	36kg
Min. Bench Dimensions D (mm)	500

*allows space for changing oil & opening door.

**Ask us about
cleaner &
accessories**



1800 265 771 (Within Australia)
+61 3 9877 7711 (Outside Australia)
Unit 9/137-145 Rooks Road Nunawading, VIC, 3131
info@meris.com.au
meris.com.au

