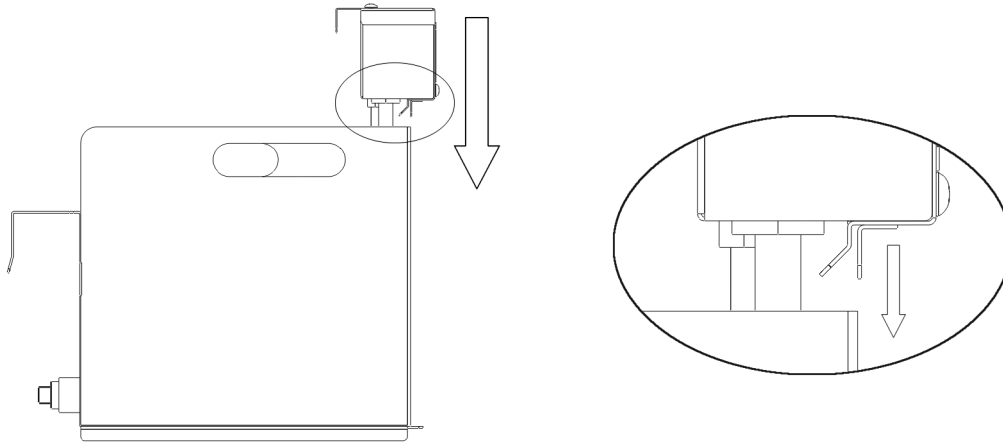


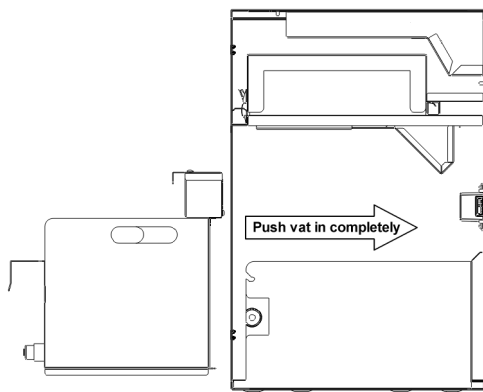
## PFC SERIES MODELS

### SERVICE BULLETIN #3

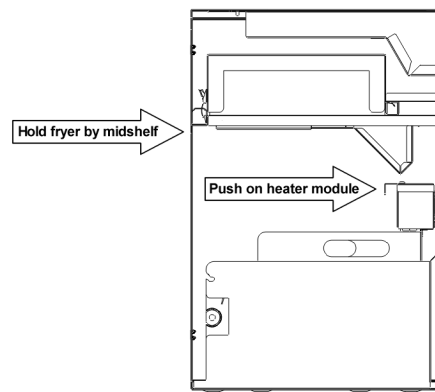
This bulletin is intended to address installation of the oil vat into the fryer. For trouble-free operation, please make sure that the oil vat (with heater module securely mounted on top) has been pushed in completely. This ensures a proper electrical connection and the necessary freedom of movement for the basket lift.



**Step 1: Line up the heater module grooves with the oil vat and push down completely**



**Step 2: Push the vat in completely**



**Step 3: While holding the midshelf, push on the heater module to lock it in place**

PHONE: 403-255-7712  
 TOLL FREE: 800-265-7711  
 ADDRESS: 615 71<sup>st</sup> Avenue SE, Calgary, AB, Canada T2H 0S7  
 FAX: 403-255-1725  
 E-MAIL: profits@perfectfry.com  
 WEB: www.perfectfry.com

